

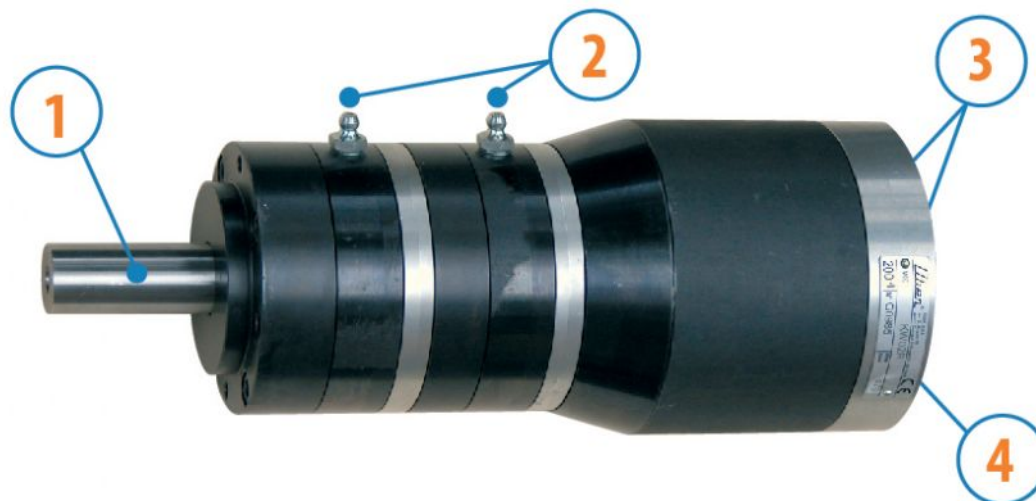
MOTORS WITH POWER OVER 1000 W

LKW SERIES - Reversible

WATT: 1070 / CONSUMPTION: 1600 NI/1'

Data measured at pressure of 6 bar - Minimum supply hose diameter: 13 mm

Data sheet
LKW40R



1. Cylindrical keyed shaft
2. Ingrassatori
3. Air inlets
4. Air exhaust

Technical specification

- Model	LKW40R
- Code	8731240
Speed rpm - No-load	3100
Speed rpm - at Max Power	1600
Torque Nm - at Max Power	5,0
Torque Nm - Stall Torque	6,0

Form features

The normal delivery condition: cylindrical shaft and body as shown in the photo.

Optional:

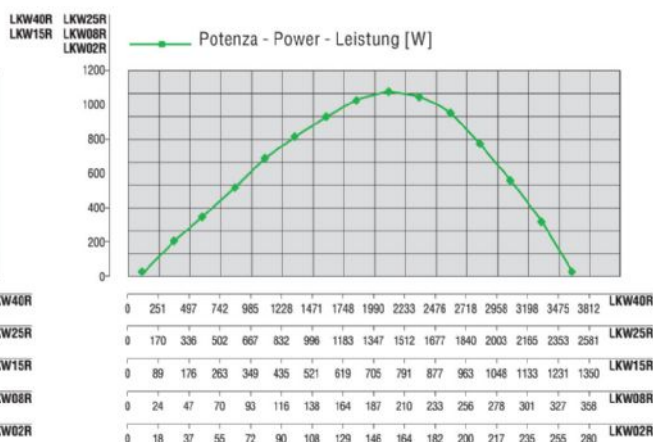
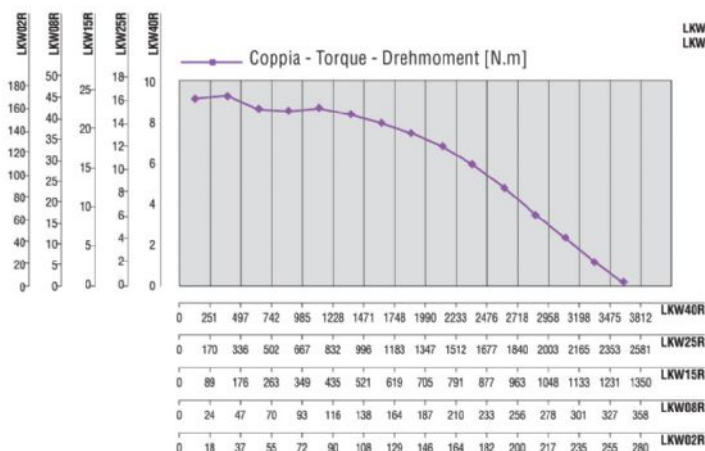
Shaft

- threaded - indication / AF (left rotation excluded - subject to checks for reversible)

- conical - indication /AC

- with collets - indication / AP

Characteristic curves



MOTORS WITH POWER OVER 1000 W

LKW SERIES - Reversible

WATT: 1070 / CONSUMPTION: 1600 NI/1'

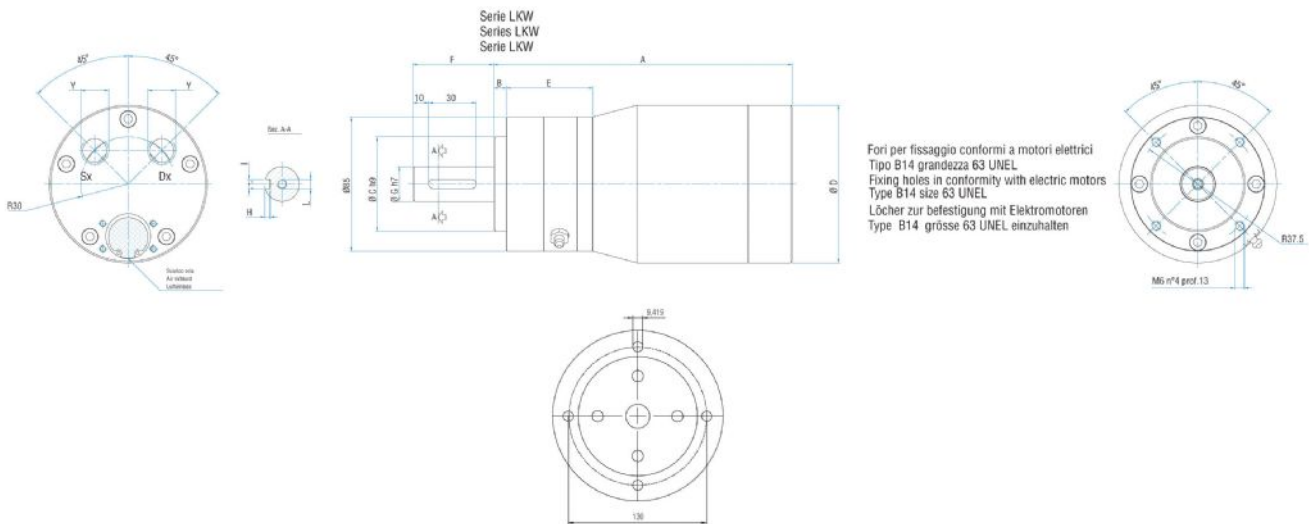
Data measured at pressure of 6 bar - Minimum supply hose diameter: 13 mm

Data sheet
LKW40R

Permissible radial and axial loads

Model	Code	Fr (N)	Fa (N)	Co (N)
LKW40R	8731240	2850	3900	7800

Overall dimensions



Fori per fissaggio conformi a motori elettrici
Tipo B14 grandezza 63 UNEL
Fixing holes in conformity with electric motors
Type B14 size 63 UNEL
Löcher zur Befestigung mit Elektromotoren
Type B14 gröse 63 UNEL einzuhalten

Flange disponibili per alcuni modelli.
Flanges available for some models.
Flansche erhältlich für einige Modelle.

Model	Code	A	B	C	D	E	F	G	H	I	J	K	L	Y	Z
LKW40R	8731240	189,2	8	60	100	54,8	51,2	22	3,5	6	/	/	M6	3/8"	/