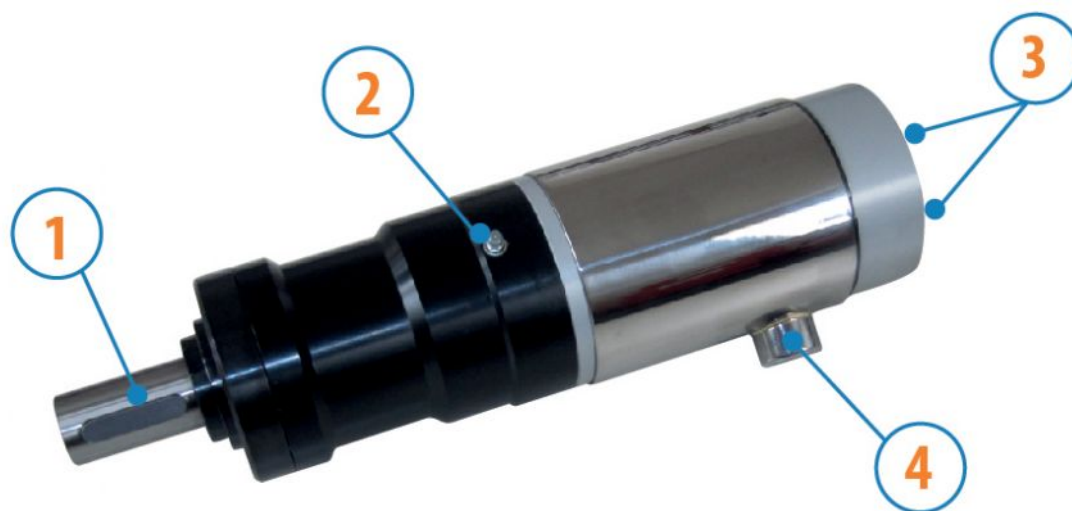


# MOTORS WITH POWER OVER 1000 W

NK SERIES - Reversible

WATT: 2250 / CONSUMPTION: 2900 NI/1"

Data sheet  
**NK100R**



1. Cylindrical keyed shaft
2. Grease gun
3. Air inlets
4. Air exhaust

## Technical specification

- Model	NK100R
- Code	8731261
Speed rpm - No-load	100
Speed rpm - at Max Power	70
Torque Nm - at Max Power	373
Torque Nm - Stall Torque	900

## Form features

The normal delivery condition:  
cylindrical shaft and body as shown in the photo.

Optional:

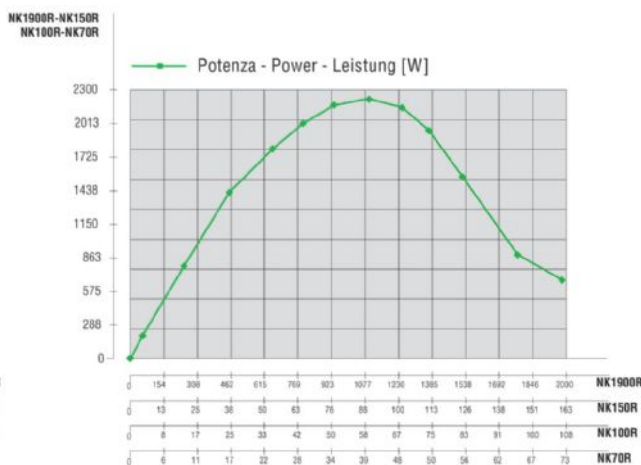
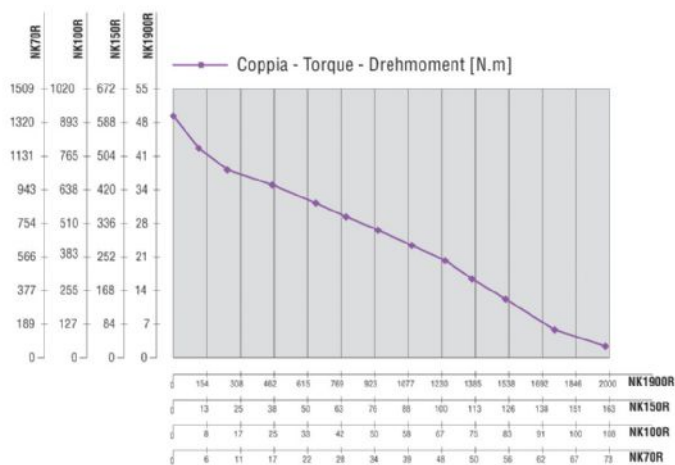
Shaft

- threaded - indication / AF (left rotation excluded - subject to checks for reversible)

- conical - indication / AC

- with collets - indication / AP

## Characteristic curves



## MOTORS WITH POWER OVER 1000 W

NK SERIES - Reversible

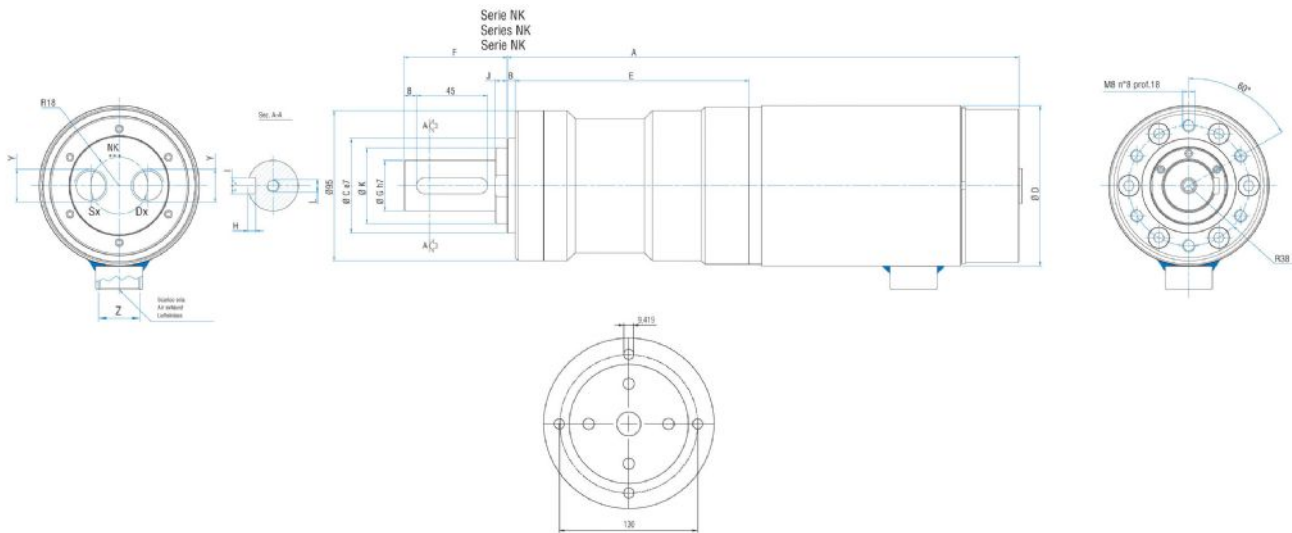
WATT: 2250 / CONSUMPTION: 2900 NI/1"

Data sheet  
**NK100R**

### Permissible radial and axial loads

Model	Code	Fr (N)	Fa (N)	Co (N)
NK100R	8731261	11000	8000	54000

### Overall dimensions



Flange disponibili per alcuni modelli.  
Flanges available for some models.  
Flansche erhältlich für einige Modelle.

Model	Code	A	B	C	D	E	F	G	H	I	J	K	L	Y	Z
NK100R	8731261	331,8	5	60	101,6	148,3	65,5	32	5	10	7,5	48	M8	1/2"	3/4"