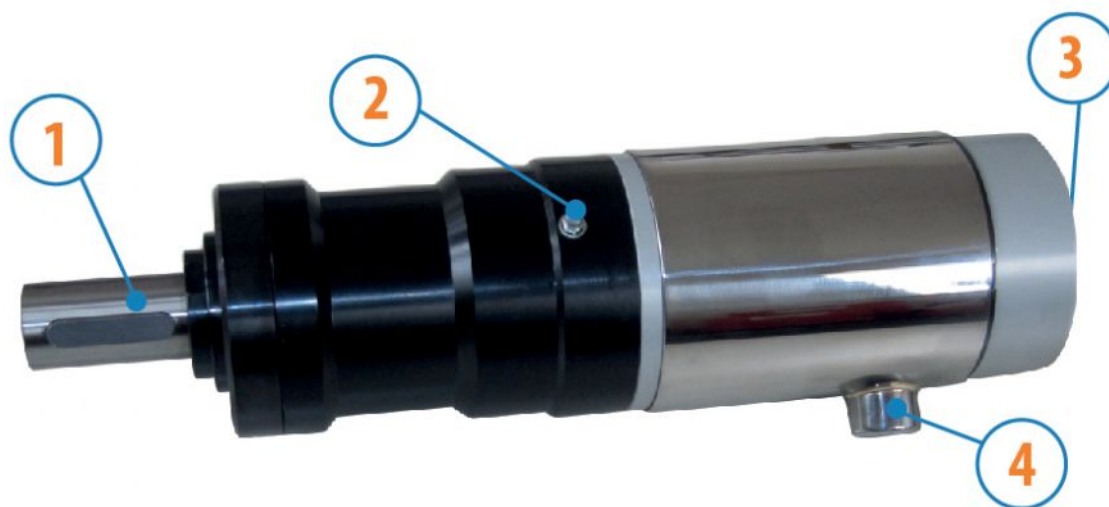


MOTORS WITH POWER OVER 1000 W

NK SERIES - Non reversible

WATT: 3100 / CONSUMPTION: 2800 NI/1"

Data sheet
NK150D



1. Cylindrical keyed shaft
2. Grease gun
3. Air inlet
4. Air exhaust

Technical specification

Right rotation - Model	NK150D
Right rotation - Code	8711262
Speed rpm - No-load	150
Speed rpm - at Max Power	110
Torque Nm - at Max Power	267
Torque Nm - Stall Torque	650

Form features

The normal delivery condition:
cylindrical shaft and body as shown in the photo.

Optional:

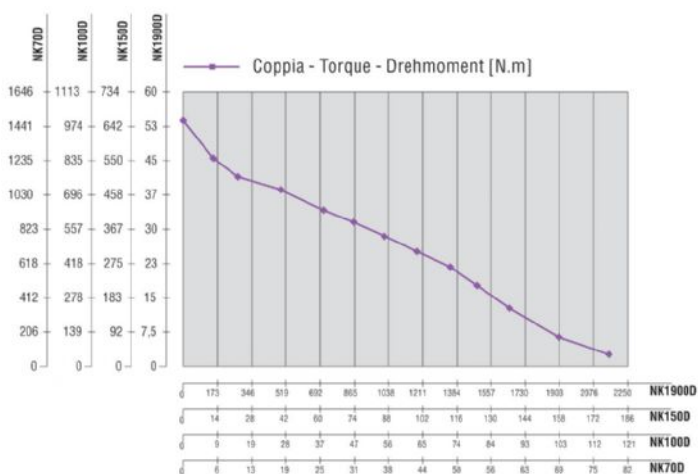
Shaft

- threaded - indication / AF (left rotation excluded - subject to checks for reversible)

- conical - indication / AC

- with collets - indication / AP

Characteristic curves



MOTORS WITH POWER OVER 1000 W

NK SERIES - Non reversible

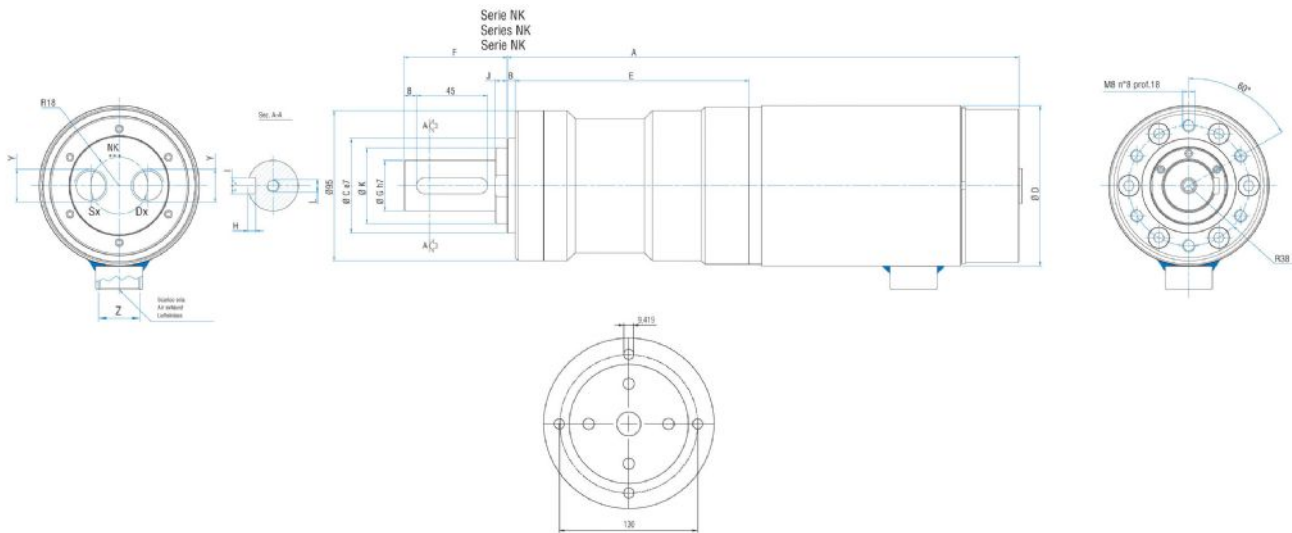
WATT: 3100 / CONSUMPTION: 2800 NI/1"

Data sheet
NK150D

Permissible radial and axial loads

Model	Code	Fr (N)	Fa (N)	Co (N)
NK150D	8711262	11000	8000	54000

Overall dimensions



Flange disponibili per alcuni modelli.

Flanges available for some models.

Flansche erhältlich für einige Modelle.

Model	Code	A	B	C	D	E	F	G	H	I	J	K	L	Y	Z
NK150D	8711262	331,8	5	60	101,6	148,3	65,5	32	5	10	7,5	48	M8	1/2"	3/4"