

MOTORS WITH POWER OVER 1000 W

NK SERIES - Reversible

WATT: 2250 / CONSUMPTION: 2900 NI/1"

Data sheet
NK1900R



- 1. Cylindrical keyed shaft
- 2. Grease gun
- 3. Air inlets
- 4. Air exhaust

Technical specification

| | |
|--------------------------|---------|
| - Model | NK1900R |
| - Code | 8731263 |
| Speed rpm - No-load | 1800 |
| Speed rpm - at Max Power | 1240 |
| Torque Nm - at Max Power | 20 |
| Torque Nm - Stall Torque | 50 |

Form features

The normal delivery condition:
cylindrical shaft and body as shown in the photo.

Optional:

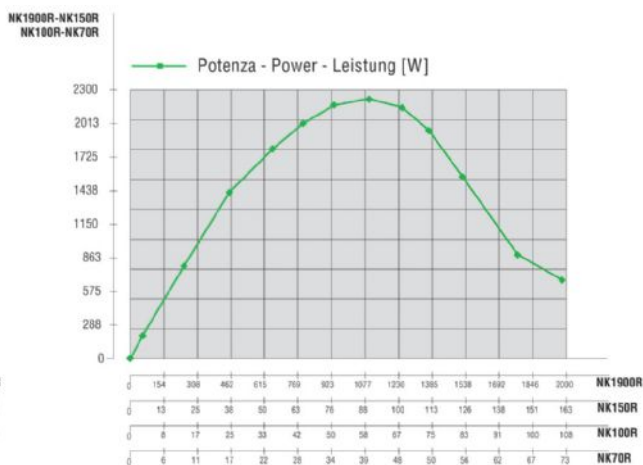
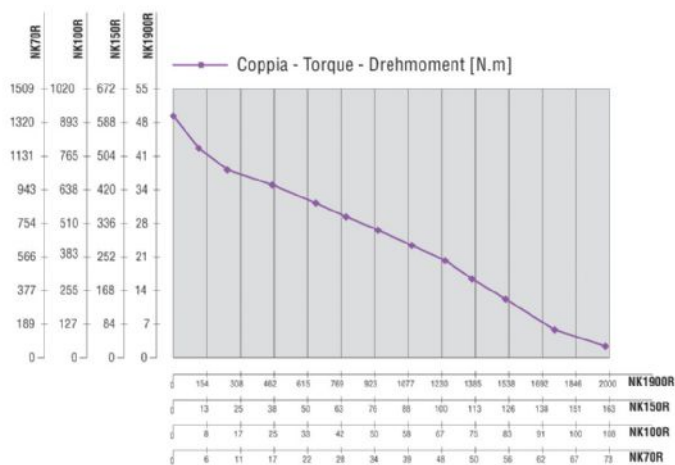
Shaft

- threaded - indication / AF (left rotation excluded - subject to checks for reversible)

- conical - indication / AC

- with collets - indication / AP

Characteristic curves



MOTORS WITH POWER OVER 1000 W

NK SERIES - Reversible

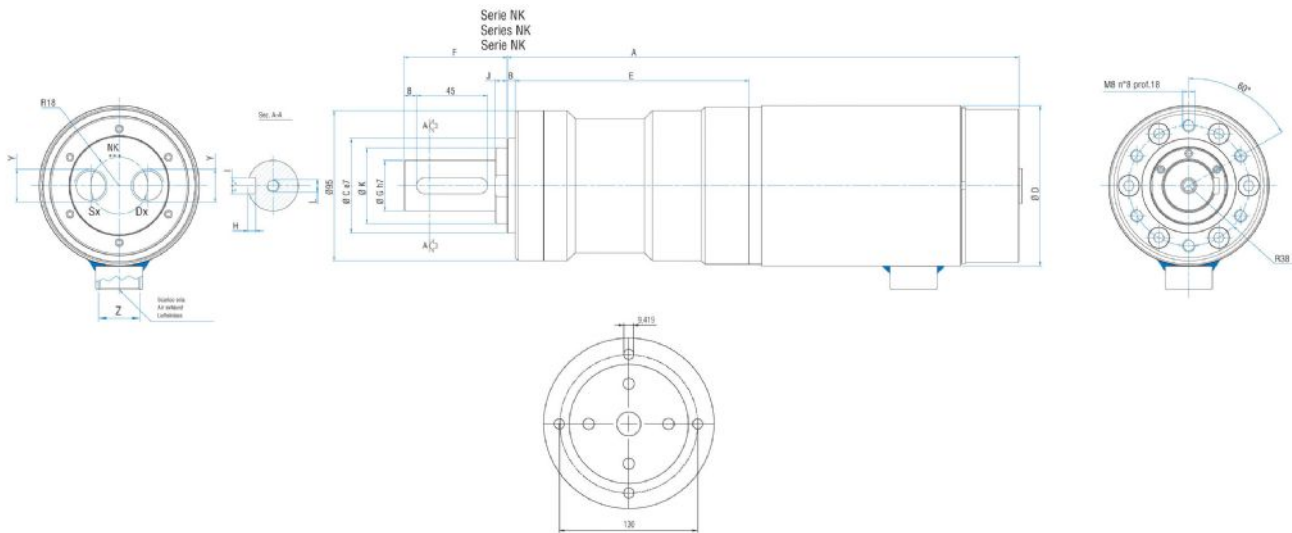
WATT: 2250 / CONSUMPTION: 2900 NI/1"

Data sheet
NK1900R

Permissible radial and axial loads

| Model | Code | Fr (N) | Fa (N) | Co (N) |
|---------|---------|--------|--------|--------|
| NK1900R | 8731263 | 11000 | 8000 | 54000 |

Overall dimensions



Flange disponibili per alcuni modelli.
Flanges available for some models.
Flansche erhältlich für einige Modelle.

| Model | Code | A | B | C | D | E | F | G | H | I | J | K | L | Y | Z |
|---------|---------|-------|---|----|-------|-------|------|----|---|----|-----|----|----|------|------|
| NK1900R | 8731263 | 331,8 | 5 | 60 | 101,6 | 148,3 | 65,5 | 32 | 5 | 10 | 7,5 | 48 | M8 | 1/2" | 3/4" |