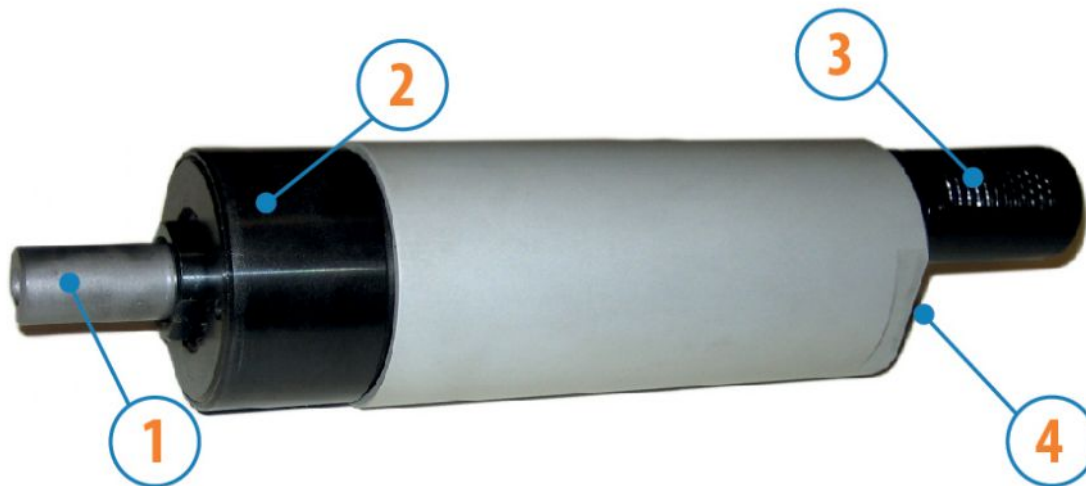


MOTORS WITH POWER UP TO 850 W

SP SERIES - Non reversible

WATT: 800 / CONSUMPTION: 1000 NI/1"

Data sheet
SPHS



1. Cylindrical keyed shaft
2. Grip zone
3. Air inlet
4. Air exhaust

Technical specification

Left rotation - Model	SPHS
Left rotation - Code	8721250
Speed rpm - No-load	17000
Speed rpm - at Max Power	8270
Torque Nm - at Max Power	0,9
Torque Nm - Stall Torque	1,8

Form features

The normal delivery condition: cylindrical shaft and body as shown in the photo.

Optional:

Shaft

- threaded - indication /AF (left rotation excluded - subject to checks for reversible)

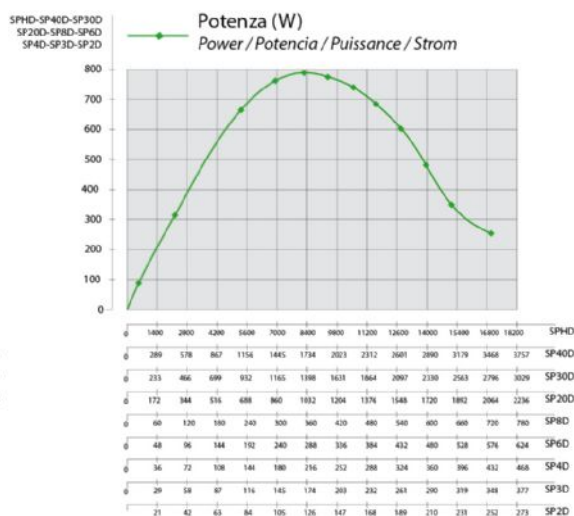
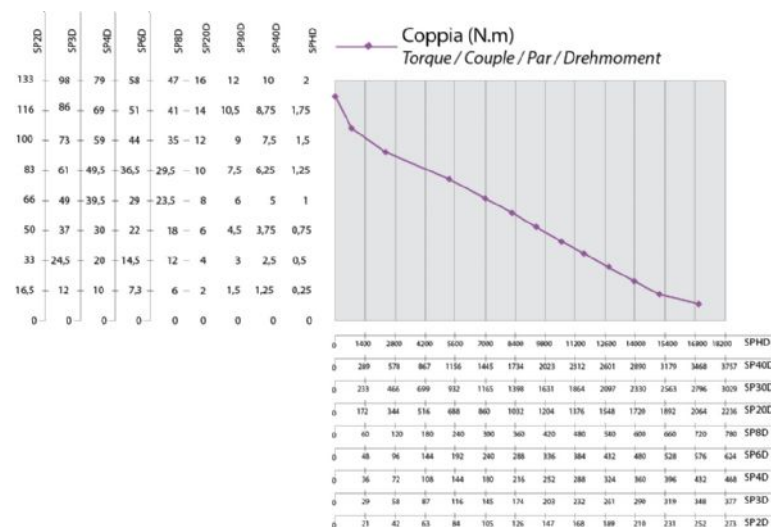
- conical - indication /AC

- with collets - indication /AP

Body

- with diamond flange coupling

Characteristic curves



MOTORS WITH POWER UP TO 850 W

SP SERIES - Non reversible

WATT: 800 / CONSUMPTION: 1000 NI/1"

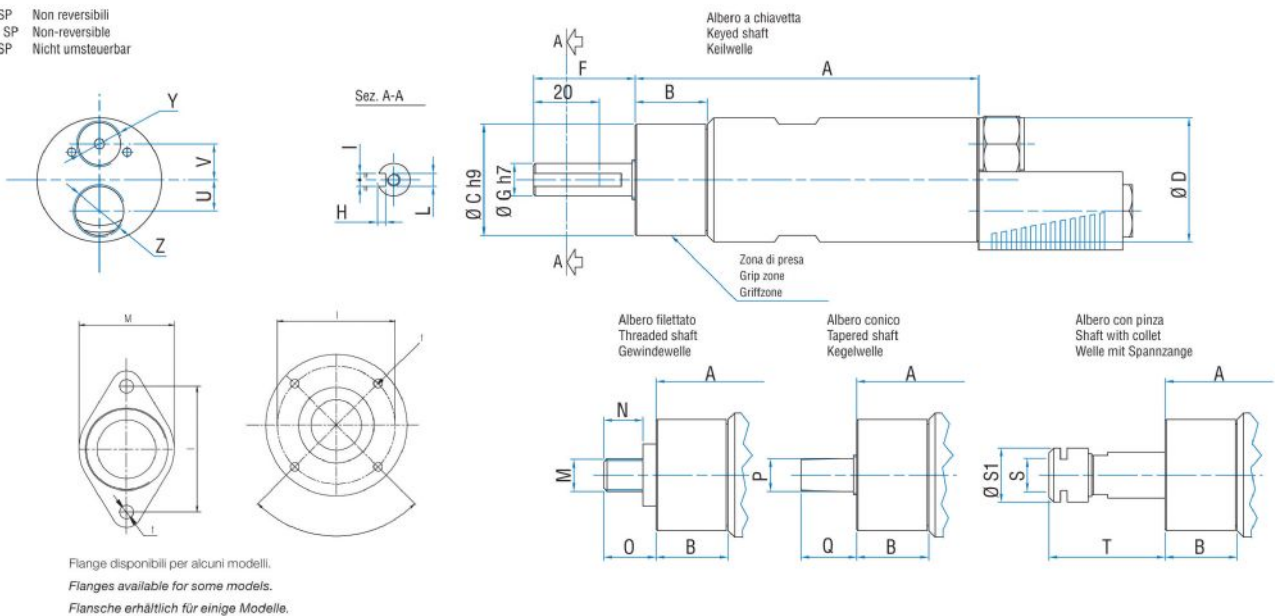
Data sheet
SPHS

Permissible radial and axial loads

Model	Code	Fr (N)	Fa (N)	Co (N)
SPHS	8721250	2050	2350	4750

Overall dimensions

Serie SP Non reversibili
Series SP Non-reversible
Serie SP Nicht umsteuerbar



Model	Code	A	B	C	D	F	G	H	I	L	M	N	O	P	Q	S
SPHS	8721250	126	31	48	50	31,5	14	/	/	M6	1/2"x20UNF	16	20,5	B12	26,5	ER16